

Klingenburg Counterflow Plate Heat Exchanger



Klingenburg GmbH
Boystrasse 115
D - 45968 Gladbeck
Germany

Tel.: +49 (0) 20 43/96 36-0
Fax: +49 (0) 20 43/7 23 62
E-Mail: klingenburg@klingenburg.de
Internet: www.klingenburg.de

Product description

Counterflow plate heat exchanger type GS

Application in ventilation systems for the exchange of heat energy.

Preferably use in plants where circulating air is not allowed.

Designed as counterflow plate heat exchanger for recovery of sensible and latent heat contained in the air streams.

Exhaust air and supply air are totally separated. The air flows are passed by each other along thin parallel aluminium plates by the counterflow principle.

Any transfer of odours or humidity is excluded.

Plate material out of non-corroding aluminium alloy.

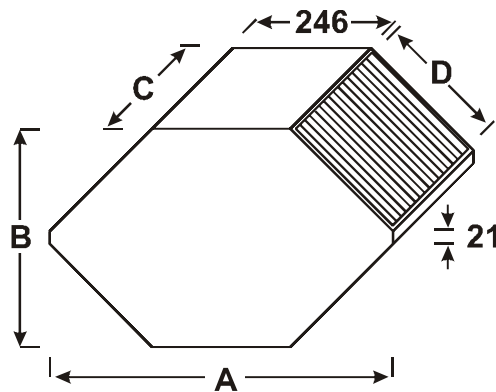
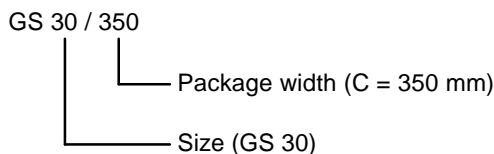
High efficiencies due to special plate structures.

Any required package width can be supplied.

Designed with special edge-folding thus high tightness and stability.

Applicable for air quantities from 50 up to 2000m³/h, preferably used for room ventilation.

Example of a type-key:



Available sizes:

| Type | A [mm] | B [mm] | D [mm] |
|--------|--------|--------|--------|
| GS 18 | 397 | 172 | 93 |
| GS 25 | 454 | 230 | 134 |
| GS 30 | 496 | 271 | 163 |
| GS 35 | 537 | 312 | 193 |
| GS 45 | 619 | 394 | 249 |
| GS 62 | 758 | 533 | 347 |
| GS 80 | 899 | 674 | 447 |
| GS 95 | 1040 | 815 | 547 |
| GS 110 | 1182 | 957 | 647 |

Subject to technical modifications